

Distortion Issues in Direct Conversion Transmitters

Praju Prathap¹, L. Punitha²

¹Department of Electronics and Communication, Government Engineering college, Wayanad, Mananthavady-670644, Kerala, India

²Scientist-D, SAMEER- CIT Campus, 2nd cross Road, Tharamani-600 113, Chennai, India

Abstract—In the wireless communication systems, due to the increasing demands for high data rate and high efficiency, several practical challenges arise in the design of direct conversion transmitters. According to the existing literatures, power amplifier (PA) nonlinearity and local oscillator (LO) pulling are the most critical factors to deteriorate the transmit signal quality. In this work, the above two issues are carefully investigated so as to improve the resultant distortion of the DCT output signal. An integrated approach for PA linearization and anti-LO pulling is designed.

Index Terms—Electromagnetic Compatibility(EMC), Electro-magnetic Interference (EMI), Software defined Radio(SDR), Band Reject Filter(BRF)

I. Introduction

Owing to the benefits of high integration and low power consumption, direct-conversion transmitter (DCT) is most commonly used in nowadays system-on-chip for modern wire-less communication systems. Achieving high-data-rate signal transmission for multimedia communications, especially in wide modulation bandwidth and high peak-to-average power ratio (PAPR), has led to stringent linearity constraints on signal conversion and amplification. The DCT consists mainly of a local oscillator (LO) to provide a pure sinusoidal signal and a quadrature modulator to perform the baseband IQ modulation, as well as a power amplifier (PA) to boost the transmitted signal power level. DCT distortion from the drawback of LO pulling effect as illustrated in Fig 1

In the early days, Adler and other authors studied the behavior of an oscillator under injection of an independent sinusoidal signal. In [2], the well-known Adler's equation was given to account for the injection locking phenomena in a free-running oscillator. Recently, there have been many approaches presented in the literature with prediction of the frequency pulling effects [4]-[6]. For instance, Razavi [4] considered a phase-locked loop under an independent sinusoidal injection.

This paper proposes a directly modulated self-injection PLL model to study the DCT pulling effects. By adding a self-injection locked loop to a PLL, the model can accurately account for the phase noise of a pulled LO, and subsequently the resultant modulation quality. Therefore, it can be used in design applications to optimize the PLL parameters for best output signal quality in a DCT that considers the LO pulling effects. In the experiment a very good agreement between the experimental data and predictions by the proposed model can be obtained.

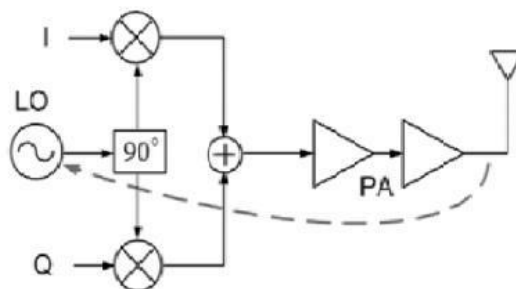


Fig. 1. Illustration of LO pulling effects

II. Theoretical Approaches

This section introduces the analytical model for a DCT with combined effects of PA distortion and LO pulling.

A. PA Distortion

PA is a key component for both user equipment and base station, responsible for amplifying the transmitted signal that arrives at the target receivers with an adequate power level. The PA are inherently nonlinear.

B. LO Pulling The LO pulling effect has become a major distortion issue with the advances in integrated circuit (IC) process technologies. In the DCT architecture, the LO is normally implemented by a phase-locked loop (PLL) to control the synthesized signals frequency and phase precisely, which is achieved by adjusting the voltage-controlled oscillator (VCO) output phase to align with the phase of reference signal.

III. Experimental Results

The transmitter uses direct-conversion architecture and mainly includes a LO, an IQ modulator, and a PA. The baseband I and Q component signals are provided by Agilent E4438C vector signal generator. Fig. 2 shows the experimental setup for testing the transmitter pulling effects, indicating that the power-amplified output signal is feedbacked to the VCO via a splitter, a delay line, an attenuator, and a circulator to serve as a self-injection signal into the LO. The transmitter output is connected to the spectrum and vector magnitude (EVM). It is noted that the attenuator attenuation is controllable to adjust the

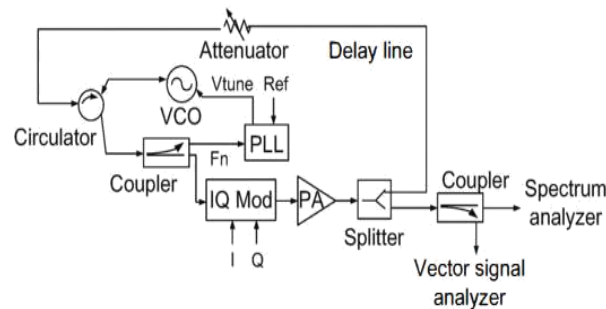


Fig. 2. Block diagram of the test setup for direct-conversion GSM transmitter pulling experiments

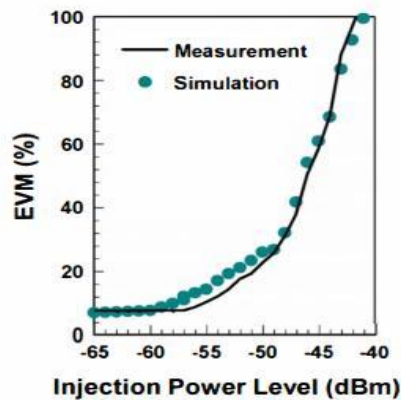


Fig. 3. EVM result

injection power level, and the circulator is used to isolate the self-injection signal from the LO output signal.

In the experiments, the LO is locked at 2.45 GHz, delivering an oscillation power of 1.5 dBm with an estimated natural frequency of 63 kHz. Firstly, an analysis was performed to observe the LO influenced by different selfinjection conditions. As mentioned, the transfer function shows bandpass filter frequency responses with the peak magnitudes located near the PLL natural frequency.

The experiment uses a modulated signal with a 270.833 kbps data rate as a self-injection signal to imitate the interference from parasitically coupling of the P A output. predict the transmit signal quality from the LO phase noise. Fig. 3 shows the comparison between the measured and calculated EVM results.

IV. Conclusion

This paper studies the LO pulling effects on a direct-conversion transmitter. A model based on a directly modulated self-injection PLL is developed to account for and predict the degradation of phase noise and signal quality due to the pulling effects. The predicted results agree very well with the experimental data.

References

- [1] C.-H.Hsiao, C.-J. Li, F.-K.Wang, T.-S.Horng, and K.-C. Peng, "Study of direct-conversion transmitter pulling effects in constant envelope modulation systems,"IEEE MTT-S Int. Microw. Symp. Dig May 2010, pp. 11741177
- [2] Chieh-Hsun Hsiao,Chien-Jung Li and Fu-Kang Wang Tzyy-Sheng Horng and Kang-Chun Peng , "Analysis and Improvement of Direct-Conversion Transmitter Pulling Effects in Constant Envelope Modulation Systems,"
- [3] IEEE transactions on microwave theory and techniquesvol.58, no. 12, december 2010.
- [4] Tzyy-Sheng Horng,Chieh-Hsun Hsiao,Chi-TsanChe,and Kang-Chun Peng, "Design of a Direct Conversion Transmitter to Resist Combined Effects of Power Amplifier Distortion and Local Oscillator Pulling,"
- [5] IEEE transactions on microwave theory and techniques vol. 60, no. 6, june 2012 S.Liangpunsakul, L.Mays, and D.K.Rex "Performance of given suspected blood indicator,"The American Journal of Gastroenterology, 98,2676(2003).
- [6] T.-S. Horng,C.-H. Hsiao"Key distortion issues and their solution in direct conversion transmitters for today's Mobile communication systems"IEEE 978-1-4799-8767-2/15/312015
- [7] T.S. Horng,C.H. Hsiao, C.T. Chen, and K.C. Peng, "Direct-conversion transmitter with resistance to local oscillator pulling in nonconstant envelope modulation systems," IEEE MTT-S Int. Microw. Symp. Dig May 2011, pp. 11741177
- [8] Alireza Zolfaghari and Behzad Razavi, "A Low-Power 2.4-ghz Transeiver CMOS IC,"IEEE journal of solid-state circuits vol. 38, no. 2, february 2003.
- [9] Trung-Kien Nguyen Vladimir Krizhanovskii, Jeongseon Lee, Seok-Kyun Han, Sang-Gug Lee,Nae-Soo Kim, and Cheol-Sig Pyo , "A Low-Power RF Direct-Conversion tranceiver for 2.4-GHz-Band IEEE 802.15.4 Standard in 0.18-m CMOS Technology, " IEEE transactions on microwave theory and techniques vol. 54, no. 12, december 2006
- [10] A. Mirzaei and H. Darabi,"Pulling Mitigation in Wireless Transmitters," IEEE Journal Solid-State Circuits vol. 49, no. 9, pp. 19581970, Sept. 2014
- [11] Giuseppe Li Puma, Rotem Avivi and Christophe Carbonne,"Techniques to Mitigate Oscillator Pulling in Radio Transmitters," IEEE Transactions on Circuits and Systems10.1109/TCSII.2016.2552143.
- [12] Giuseppe Li Puma and Christophe Carbonne,"Mitigation of Oscillator Pulling in SoCs, " IEEE JOURNAL OF SOLID-STATE CIRCUITS, VOL. 51, NO. 2, FEBRUARY 2016